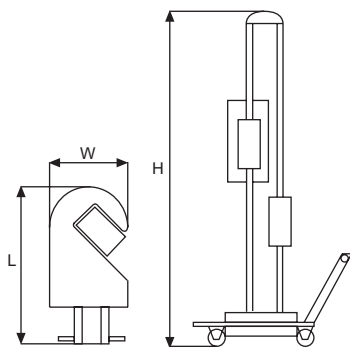
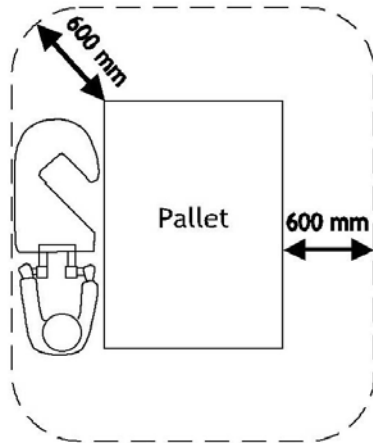
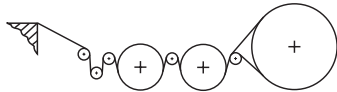


# Wrapman

**POWER PRE-STRETCH 100%**



MODELS	max useful pallet height	H (mm)	L (mm)	W (mm)	weight	autonomy	max diameter film coil	core types of film coil
WRAPMAN 2.0	2.0	2100	1150	570	110 kg	70 pallet	145mm	38-50-76 mm
WRAPMAN 2.4	2.4	2460	1150	570	112 kg	70 pallet	145mm	38-50-76 mm
WRAPMAN 2.8	2.8	2900	1150	570	120 kg	70 pallet	145mm	38-50-76 mm